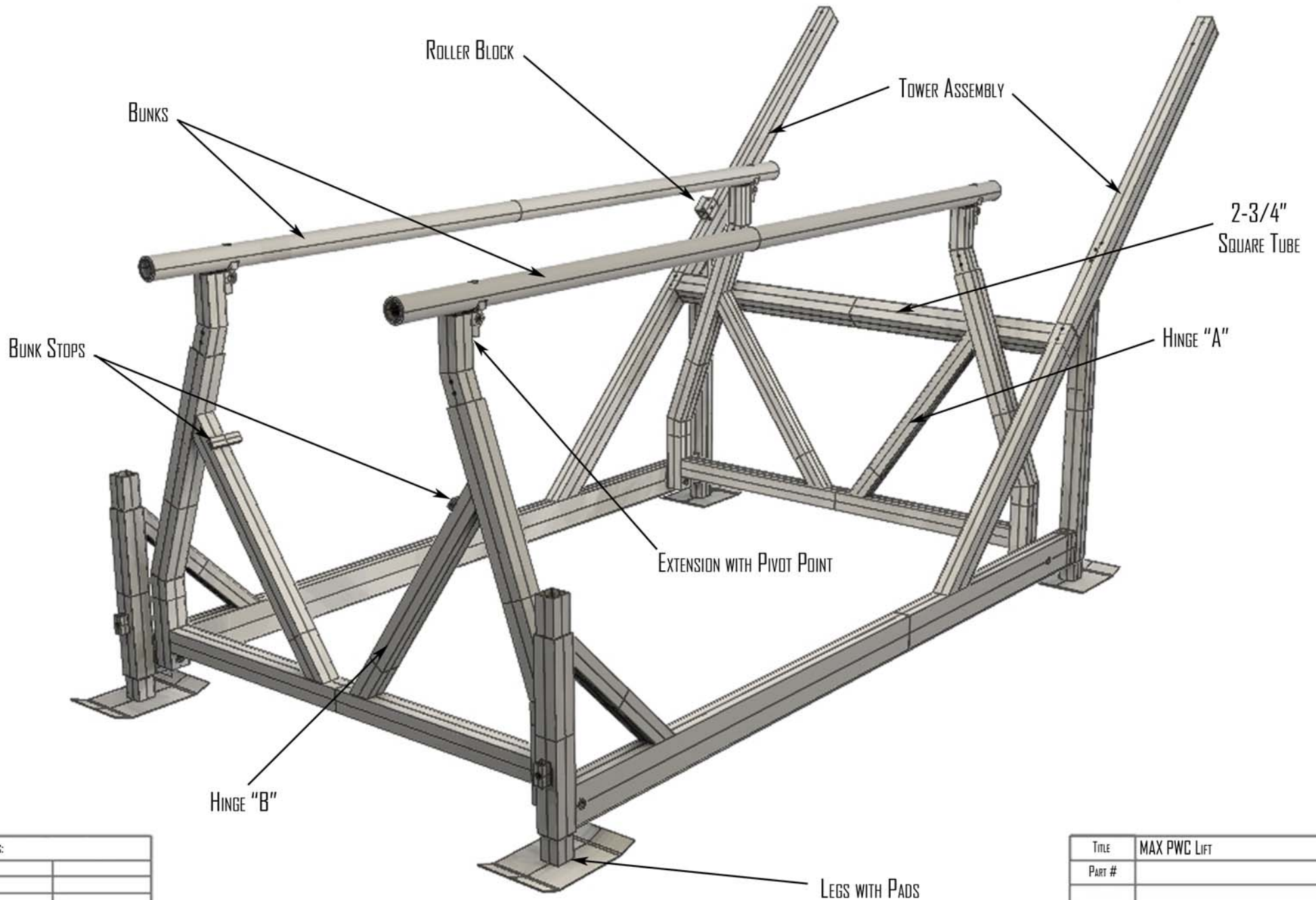


Notes:



SUB-PARTS:	

TITLE	MAX PWC LIFT
PART #	

Lift- JS1200

- 1 Install 4 legs with pads into the bottom of each Tower Assembly.
- 2 Stand Tower Assy. upright and attach 2 3/4" square tube between them with 2 - 3/8" x 4" bolts each end.
- 3 Attach hinge arms into Tower Assy. using 1/2" x 6" bolts with 4 1/2" PVC pipe sleeves. Make sure Hinge "B" with Bunk Stops is installed farthest away from the winch end of the lift. Also make sure the Bunk Stops are pointing toward the winch. Install rubber tips onto Bunk Stops. (See attachment)
- 4 Install 4 Extensions into the Hinges with pivot points facing winch end of lift. Use 1/2" x 3 1/4" bolts on Hinge "B". Use 1/2" x 3 1/2" eye bolts with pulleys on Hinge "A". DO NOT over tighten these 4 bolts.
- 5 Install Roller Block on the side of the Tower Assy. which will have the winch attached. Make sure the single roller is up and the double rollers are on the inside. Use 2 - 3/8" x 6" bolts. (See attachment)
- 6 Install Cable with eye bolt into opposite Tower Assy.
- 7 Install Winch on top of Tower Assy. which has Roller Block. Wheel must be on the outside. Use 2 - 3/8" x 4" bolts.
- 8 Install Wheel to Winch with 2 - 3/8" x 1" allen head S.S. bolts and nuts. Make sure bolts are pointed away from Winch. After Wheel is on Winch install Hub Spring into center of Wheel with small end out. Install special Hub Nut (supplied with Winch), tighten nut so it is flush with end of hub shaft. Install knob with 3/8" x 1 3/4" allen head S.S. bolts. Leave it so it will spin.
- 9 Run Cable into and thru pulleys. Next thru Roller Block, and into Winch. Install cable clamp on outside of drum with 1/4" x 3/4" carriage bolt. Make sure nut and clamp are on the outside of the drum.
- 10 Install Bunk Rails to Extensions with 1/2" x 3" bolts with 2" PVC sleeves. DO NOT over tighten these bolts.